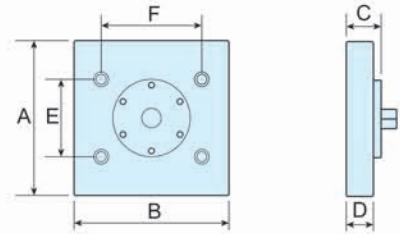
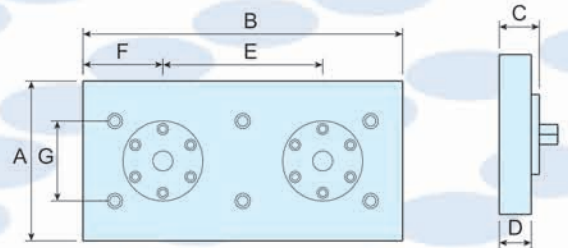


ISO-9001:2015



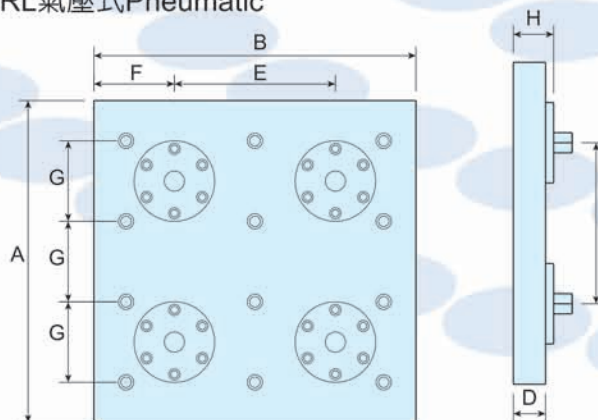
| MODEL | A | B | C | D | E | F | 夾緊力POWER | 拉緊力POWER | N.W. |
|----------------|-----|-----|----|----|-----|-----|----------|----------|------|
| ZPS-125-200-RH | 200 | 200 | 50 | 40 | 100 | 100 | 20KN | 55KN | 13kg |
| ZPS-125-200-RL | 200 | 200 | 50 | 40 | 100 | 100 | 17KN | 55KN | 13kg |

▶ RH液壓式Hydraulic ▶ RL氣壓式Pneumatic



| MODEL | A | B | C | D | E | F | G | 夾緊力POWER | 拉緊力POWER | N.W. |
|----------------|-----|-----|----|----|-----|----|-----|----------|----------|------|
| ZPS-225-300-RH | 170 | 300 | 50 | 40 | 150 | 75 | 100 | 20KN | 55KN | 17kg |
| ZPS-225-400-RH | 200 | 400 | 50 | 40 | 250 | 75 | 100 | 20KN | 55KN | 20kg |
| ZPS-225-300-RL | 170 | 300 | 50 | 40 | 150 | 75 | 100 | 17KN | 55KN | 17kg |
| ZPS-225-400-RL | 200 | 400 | 50 | 40 | 250 | 75 | 100 | 17KN | 55KN | 20kg |

▶ RH液壓式Hydraulic ▶ RL氣壓式Pneumatic

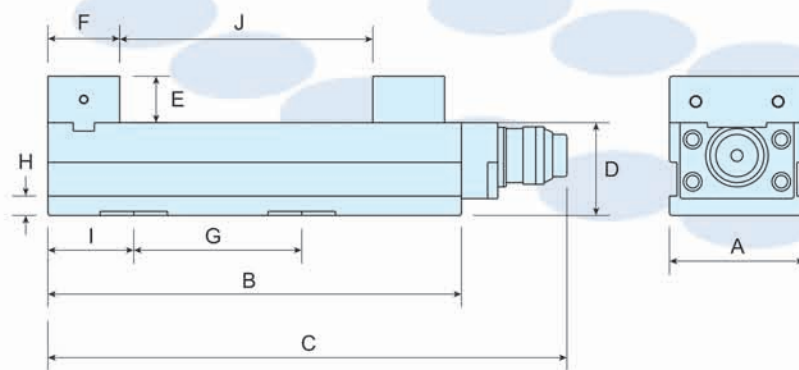
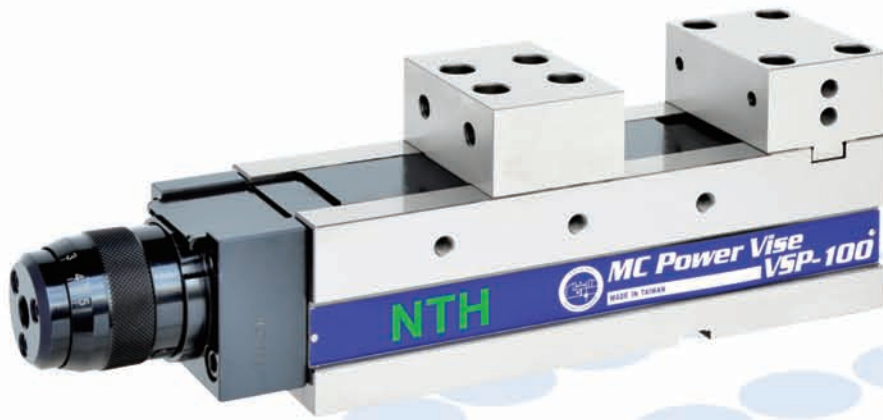


| MODEL | A | B | C | D | E | F | G | H | 夾緊力POWER | 拉緊力POWER | N.W. |
|----------------|-----|-----|-----|----|-----|----|-----|----|----------|----------|------|
| ZPS-425-300-RH | 300 | 300 | 150 | 40 | 150 | 75 | 100 | 50 | 20KN | 55KN | 29kg |
| ZPS-425-400-RH | 400 | 400 | 200 | 40 | 250 | 75 | 100 | 50 | 20KN | 55KN | 50kg |
| ZPS-425-300-RL | 300 | 300 | 150 | 40 | 150 | 75 | 100 | 50 | 17KN | 55KN | 29kg |
| ZPS-425-400-RL | 400 | 400 | 200 | 40 | 250 | 75 | 100 | 50 | 17KN | 55KN | 50kg |

▶ RH液壓式Hydraulic ▶ RL氣壓式Pneumatic

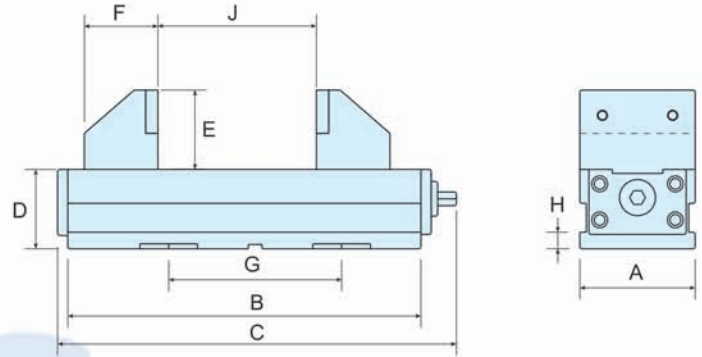
ISO-9001:2015

ZERO-POINT-SYSTEMS



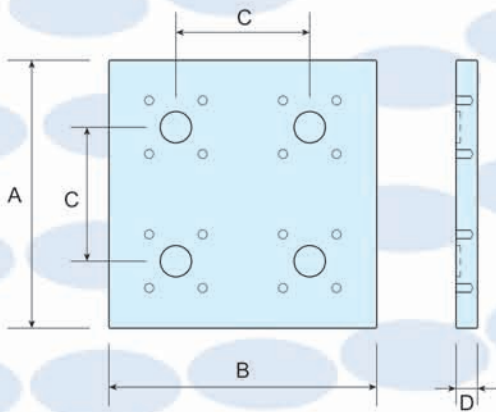
| MODEL | A | B | C | D | E | F | G | H | I | J | N.W. |
|-------------|-----|-----|-----|-----|----|----|-----|----|-----|-----|------|
| VSP-100-ZPS | 100 | 310 | 435 | 95 | 45 | 70 | 150 | 23 | 100 | 140 | 26kg |
| VSP-130-ZPS | 130 | 410 | 535 | 100 | 50 | 80 | 250 | 23 | 110 | 230 | 45kg |

ISO-9001:2015

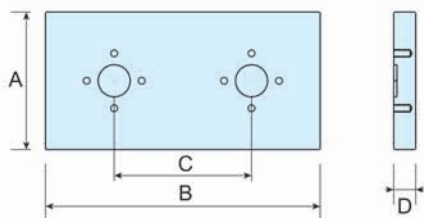


| MODEL | A | B | C | D | E | F | G | H | J | N.W. |
|-----------------|-----|-----|-----|-----|-----|----|-----|----|--------|------|
| VSC-100-5XC-ZPS | 100 | 310 | 340 | 95 | 90 | 85 | 150 | 23 | 30-110 | 37kg |
| VSC-130-5XC-ZPS | 130 | 410 | 510 | 100 | 100 | 90 | 250 | 23 | 30-220 | 45kg |

零點定位用托盤 ZERO-POINT PLATE



| MODEL | A | B | C | D | N.W. |
|---------------|-----|-----|-----|----|------|
| ZPS-425-300-P | 300 | 300 | 150 | 30 | 23kg |
| ZPS-425-400-P | 400 | 400 | 250 | 35 | 46kg |



| MODEL | A | B | C | D | N.W. |
|---------------|-----|-----|-----|----|------|
| ZPS-225-300-P | 170 | 300 | 150 | 30 | 13kg |
| ZPS-225-400-P | 200 | 400 | 250 | 30 | 20kg |