

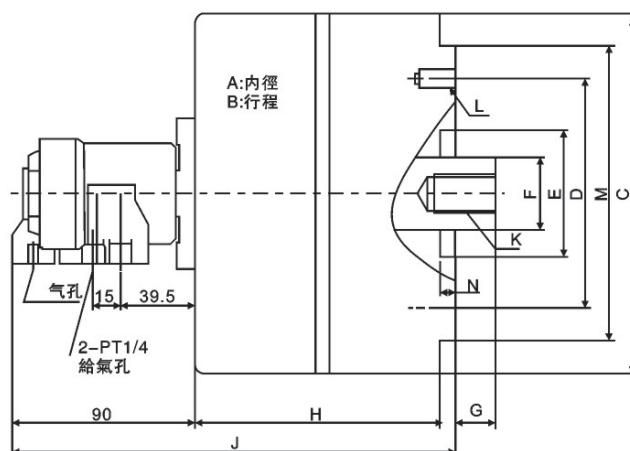
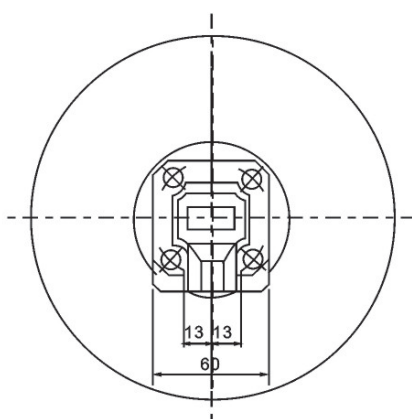
### > RA-B SERIES

#### 中實雙活塞氣壓缸

#### DOUBLE ROD PISTON ROTATING AIR CYLINDER



- ◎ 雙活塞設計，拉力能加大1倍。
- ◎ 輕量型，高速型，運轉平衡，回轉閥體採用特殊鋁合金製造而成，內部零部件皆採用進口原件，高壽命，低慣量。
- ◎ 使用時請注入微量油霧。
- ◎ 可根據客戶需求定制。
- ◎ Light weight and high rotating speed, special designed valve which economize air consumption, the cost is saved.
- ◎ The components of cylinder is imported and high quality, equilibrium running and long service life.
- ◎ For special large through hole can be customized according to your requirements.
- ◎ During using, a little oil mist should be contained.



| 規格 Spec.<br>型號 Model | 活塞面積 Eff.piston area cm <sup>2</sup> |            | 行程 (mm)<br>Piston stroke | 最高回轉速<br>Max R.P.M | 最大使用壓力<br>Max. Operating Pressure<br>MPa(kgf/cm <sup>2</sup> ) | 推薦動力卡盤 | 重量<br>Weight<br>(kg) |
|----------------------|--------------------------------------|------------|--------------------------|--------------------|--|--------|----------------------|
|                      | 伸側 Extend                            | 拉側 Retract |                          |                    |  |        |                      |
| RA-130B              | 251.2                                | 247.9      | 12                       | 4000               | 0.8(8)   | 5" 6"  | 8                    |
| RA-160B              | 380.8                                | 369.7      | 25                       | 4000               | 0.8(8)   | 6" 8"  | 12                   |
| RA-200B              | 606.8                                | 595.8      | 30                       | 3500               | 0.8(8)   | 10"    | 17                   |
| RA-250B              | 960                                  | 949        | 35                       | 3000               | 0.8(8)   | 12"    | 16                   |

| 規格 Spec.<br>型號 Model | A   | B  | C   | D   | E<br>(h7) | F  | G   |     | H   | J   | K      | L         | M   | N  |
|----------------------|-----|----|-----|-----|-----------|----|-----|-----|-----|-----|--------|-----------|-----|----|
|                      |     |    |     |     |           |    | max | min |     |     |        |           |     |    |
| RA-130B              | 130 | 12 | 160 | 90  | 65        | 25 | 27  | 15  | 113 | 221 | M16x25 | 6-M10x20  | 100 | 4  |
| RA-160B              | 160 | 25 | 195 | 125 | 100       | 40 | 40  | 15  | 135 | 243 | M20x35 | 6-M10x20  | 160 | 5  |
| RA-200B              | 200 | 30 | 232 | 160 | 125       | 40 | 44  | 14  | 147 | 255 | M20x35 | 6-M12x20  | 192 | 6  |
| RA-250B              | 250 | 35 | 285 | 200 | 160       | 40 | 42  | 7   | 158 | 266 | M20x35 | 12-M12x20 | 235 | 10 |

\* 保留技術更改的權利，恕不另行通知 Subject to technology changes without prior information  
 \* 非標需求可訂做 Non-standard requirements can be made

