

> VH SERIES

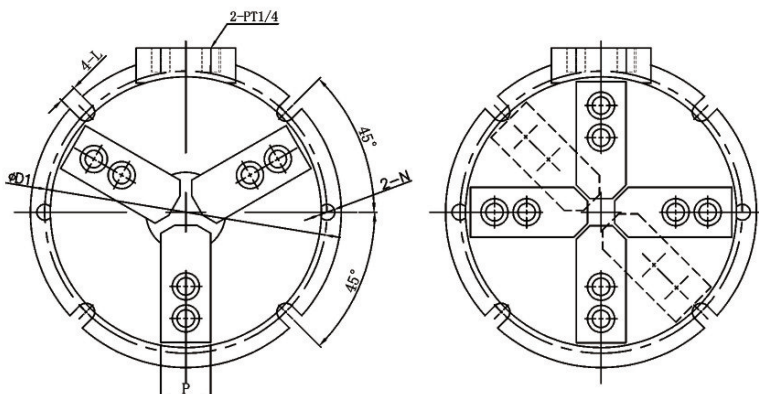
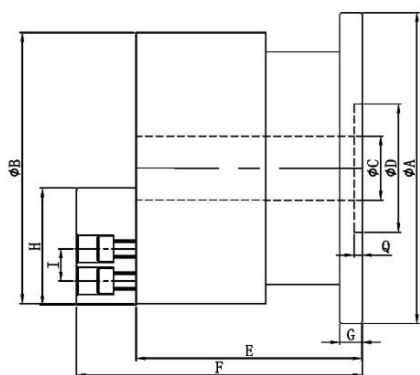
中空立式夾頭

STATIONARY CHUCK WITH THROUGH-HOLE



◎ 立式中空動力夾頭，適合鑽床，銑床或切削中心機使用，有二爪、三爪及四爪三種形式。

◎ Vertical hollow power chuck, suitable for drilling, milling, or cutting center machines, available in three forms: two jaw, three jaw, and four jaw.



規格 Spec 型號 Model	活塞面積 cm^2 Eff. piston area	活塞行程mm piston stroke	爪行程(直徑)mm Jaw stroke(Dia.)	最大夾緊力 KN(kgf) Max. clamping force	最大使用壓力 Mpa(kgf/cm 2) Max. pressure	夾緊範圍mm Chucking Range	重量kg Weight
VH-05	46.7	10	5.4	35.8(3650)	3.7(37)	7-135	12
VH-06	60.4	12	5.5	56.8(5800)	3.6(36)	12-168	20
VH-08	98	16	7.4	85.8(8750)	3.6(36)	15-210	34
VH-10	128.6	19	8.8	110.7(11300)	3.4(34)	31-254	56
VH-12	155.3	23	10.6	143.6(14650)	3.6(36)	34-304	80
VH-15	192.8	23	10.6	183.5(18350)	3.6(36)	50-381	150

* 注:二爪立式夾盤的最大油壓力應為三爪同規格所標最大油壓力的三分之二。

* The maximum oil pressure of the two-claw vertical chuck should be two thirds of the maximum oil pressure of the three claws.

單位: mm

規格 Spec 型號 Model	A	B	C	D (H7)	D1	E	F	G	H	I	Q	L	N (H7)	P
VH-05	158	135	28	50	140	111	142	12	62	14	5	9	10	25
VH-06	178	169	40	60	160	138	175	14	73	20	5	11	10	31
VH-08	210	210	45	80	190	158	196	16	95	25	5	13	10	35
VH-10	250	254	70	90	230	186	229	18	100	30	6	13	12	40
VH-12	266	304	82	90	246	200	251	18	130	30	6	13	12	50
VH-15	400	381	120	130	326	109	236	25	165	43	12.5	22	-	62

* 保留技術更改的權利，恕不另行通知 Subject to technology changes without prior information

* 非標需求可訂做 Non-standard requirements can be made

