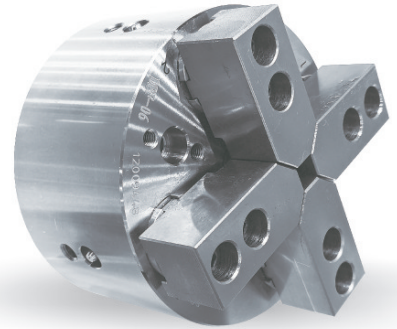


## > DPF SERIES

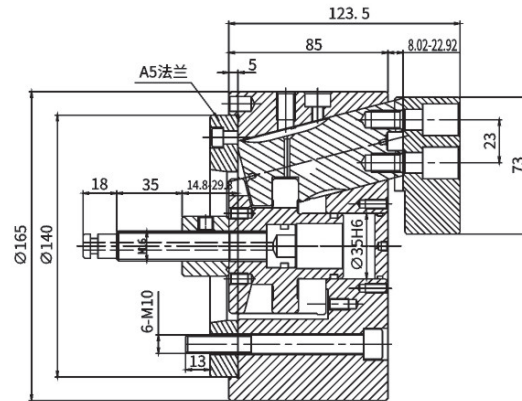
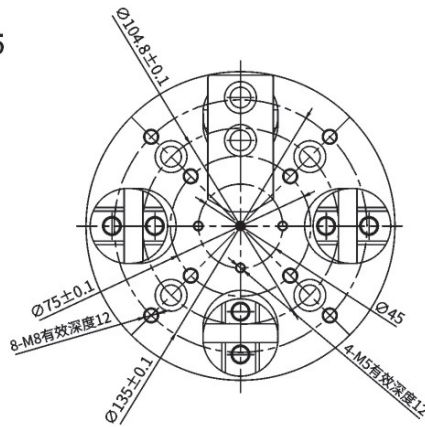
### 四爪後拉式油壓夾頭

#### 4 JAW PULL BACK POWER CHUCK

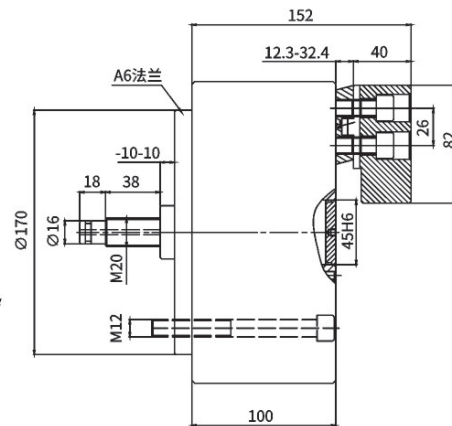
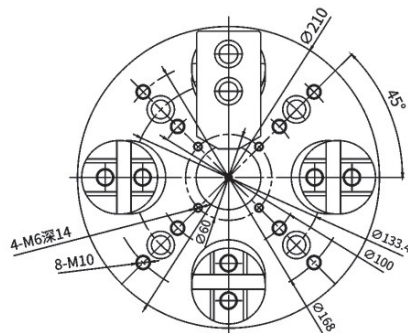
- ◎ DPF後拉式油壓夾頭，在徑向夾持工件的同時向後斜拉。
- ◎ 工件緊貼定位端面，不會上浮，適合對鑄件及鍛件的重切削加工。
- ◎ 夾頭採用圓柱滑動結構，重複夾持精度與定長精度好。
- ◎ 可搭配氣密檢測裝置。
- ◎ DPF 4 jaw pull back power chuck, it pulls back while radial clamping the workpiece.
- ◎ When the workpiece is clamped onto the basic position end, it can't move up, it's suitable for processing casting and forgings parts.
- ◎ The cylindrical sliding structure is adopted, the repeating clamping accuracy and length fixing accuracy is excellent.
- ◎ It can go with air detection device to check if the clamping is OK or not.



DPF-06A5



DPF-08A6



規格 Spec 型號 Model	楔行程 Plunger stroke (mm)	爪行程直徑 Jaw stroke (Dia) (mm)	直徑夾持範圍 Clamping Range Dia. (mm)	容許油壓缸推力 Max. Pull force KN KN (Kgf)	最大夾持力 Max. clamping force KN (Kgf)	最高轉速 Max RPM	慣性矩 I Kg·m <sup>2</sup>	重量 Weight (Kg)	適合油缸 Matching Cylinder	最大使用壓力 Max. pressure Mpa (Kgf/cm <sup>2</sup> )
DPF-06A5	15	7.8	22-165	9(910)	25(2550)	3500	0.05	15	SLA-100	2.5(25)
DPF-08A6	20	10.3	28-210	16(1630)	45(4590)	3000	0.15	26	SLA-125	1.2(22)

\* 保留技術更改的權利，恕不另行通知 Subject to technology changes without prior information  
 \* 非標需求可訂做 Non-standard requirements can be made