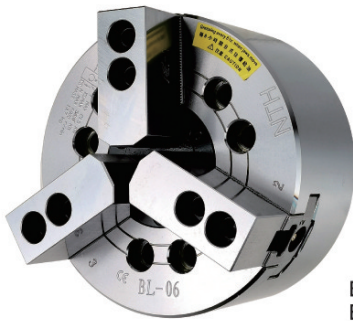


## > BL SERIES

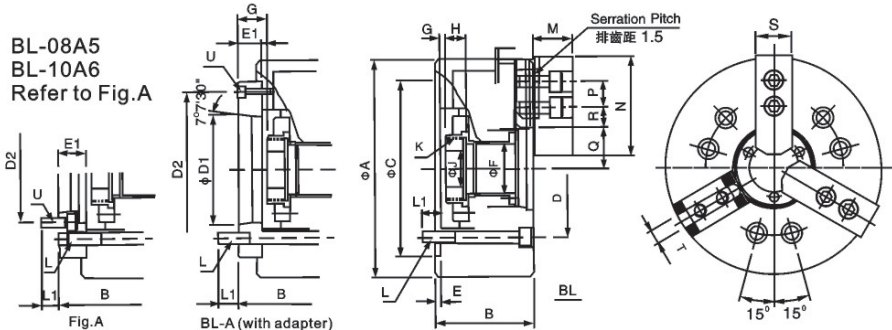
### 超長爪行程動力夾頭(三爪高速中空型)

### 3-JAW EXTRA LONG JAW STROKE THROUGH HOLE POWER CHUCK



- ◎ 曲柄型三爪超大貫通孔徑，超長爪行程。
- ◎ 摺動面均經硬化及精密研磨，并直接潤滑。
- ◎ 安裝連結方式與中空夾頭一樣，且可與之相容互換，不必更改拉杆。
- ◎ 高剛性結構及高夾持精度。
- ◎ It's a CRANK type 3-jaw with the large through-hole, and extra long jaw stroke.
- ◎ Matching surfaces of all parts hardened, ground and lubricated directly.
- ◎ Construction of high rigidity and high clamping accuracy.
- ◎ The installation is the same as "Through-hole power chuck" and they are replaceable with each other. No need to change the "Draw tube".

BL-08A5  
BL-10A6  
Refer to Fig. A



規格 Spec 型號 Model	楔心行程 Plunger stroke (mm)	爪行程(直徑) Jaw stroke (Dia.) (mm)	夾持直徑 chucking Dia.(mm)		容許油壓缸推力 Max.D.B.Pull KN(kgf)	最大夾持力 Max clamping force KN(kgf)	最高回轉速 max r.p.m	慣性矩 kg·m <sup>2</sup>	重量 (kg)		適合油壓缸 Matched cylinders
			最大Max	最小Min							
BL-05 A4	12	18	135	6	15.6(1590)	17.2(1750)	4200	0.019	7.2	8.0	H-1036
BL-06 A5	15	24	170	18	23.5(2400)	26.0(2650)	3600	0.063	13	14.8	H-1246
BL-08 A5 A6	20	32	215	25	34.3(3500)	35.0(4150)	3000	0.175	23	25.9	H-1552
										24.1	
BL-10 A6 A8	25	37.5	260	47	47.7(4870)	61.0(5700)	2400	0.347	38	45	H-1875
										43.5	
BL-12 A8	30	45	315	54	64.7(6600)	68.0(7650)	2100	0.827	62	67.5	H-2091
BL-15 A11	35	52	385	50	84.3(8600)	68.0(6930)	1600	2.58	136	143	H-2511

寸法 Size 型號 Model	A	B	C(H6)	D	D1	D2	E	E1	F	Gmax		Gmin		H	J	
BL-05 A4	135	65	76	110	82.6	63.51	96	4	15	32	1	16	-11	4	20	12
BL-06 A5	168	84	97	140	104.8	82.56	116		18	42	6.5	24.5	-8.5	9.5	19	20
BL-08 A5 A6	210	96	118	170	133.4	106.38	150	5	23	52	7	34	-13	14	20	30
			17						30			10				
BL-10 A6 A8	254	110	130	220	171.5	139.72	133.4	5	25	70	8	33	-17	8	25	45
			123						26			1				
BL-12 A8	304	127	140	220	171.5		190		18	91	15	33	-15	3	28	50
BL-15 A11	385	150	166	300	235	196.87	260	6	22	120	12.5	34.5	-22.5	-0.5	39	60

寸法 Size 型號 Model	K max	L	L1	M	N	P	Q max	Q min	R max	R min	S	T	U	
														BL-05 A4
BL-06 A5	M55x2	6-M10	18	15	37	73	20	25.7	13.75	39	27	31	12	3-M6
BL-08 A5 A6	M60x2	6-M12	18	19	38	95	25	28.25	16.25	49.25	33.25	35	14	6-M10
			18	20										3-M6
BL-10 A6 A8	M85x2	6-M16	22	20	43	110	30	35.25	17.25	64.25	45.25	40	16	6-M12
			22	25										6-M8
BL-12 A8	M100x2		20	19	51	130		46.25	19.25	77	54.5	50	21	
BL-15 A11	M130x2	6-M20	33	31	63	165	43	51.25	27.25	94.25	68.25	62	22	3-M10

\* 保留技術更改的權利，恕不另行通知 Subject to technology changes without prior information  
 \* 非標需求可訂做 Non-standard requirements can be made