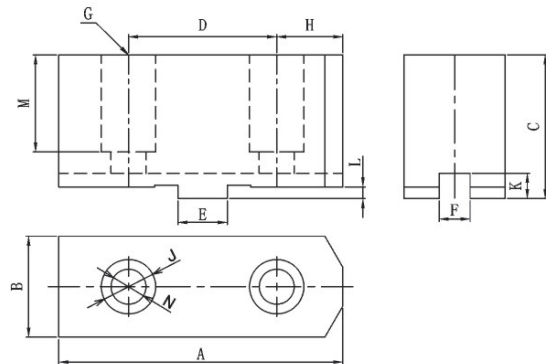
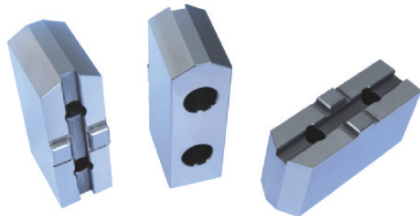


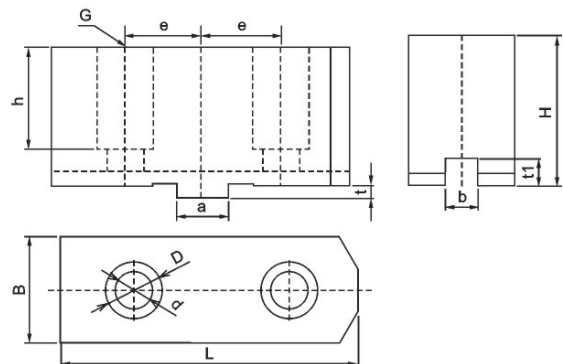
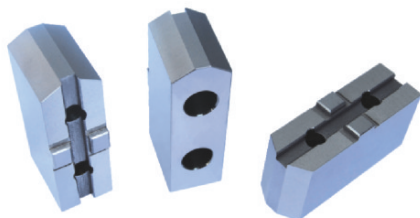
目標強力生爪 SOFT JAWS FOR SCROLL CHUCK



規格 / Specification

SPEC. MODEL	長 Length A	寬 Width B	高 Height C	D	鍵槽寬 Slot width E	鍵槽深 Slot depth F	螺絲 Screw G	H	J	K	L	M	N	毛重 G.W.(KG)
CP-04	52	19	30	24	9.53	7.94	M6x1.0P	14	11	3	2.5	21	7	0.45
CP-05	62	24	35	32	12.68	7.94	M8x1.25P	15	14	3.5	3	24	9	0.9
CP-06	73	26	37	38.1	12.68	7.94	M8x1.25P	17	14	3.5	3	25	9	1.2
CP-07(08)	95	31	48	44.45	12.68	7.94	M10x1.5P	25.3	17	3.8	3	34	11	2.65
CP-09(10)	110	37	48	53.98	19.03	12.7	M12x1.75P	28	19	4.2	3	34	13	3.8
CP-12	125	42	54	63.5	19.03	12.7	M12x1.75P	31	19	4.2	3	38	13	5.3
CP-16	160	50	70	76.2	19.03	12.7	M16x2.0P	42	25	5.5	6	48	17	11.5
CP-20	160	55	80	76.2	19.03	12.7	M20x2.5P	42	32	5.5	6	58	21	15.5
HE-2486	155	59	86	76.2	19.03	12.7	M20		32	5	6	66	21	17.2

NTH強力生爪 SOFT JAWS FOR NTH SCROLL CHUCK



規格 / Specification

型式/規格 MODEL/SPEC	L	B	H	h	D	d	a	e	b	t	t1	G
NCP-04	52	19	30	21	11	6.5	9.53	12	7.94	2.5	5.5	M6*1.0P
NCP-05	62	24	35	24	14	9	12.68	16	7.94	3	7.2	M8*1.25P
NCP-06	73	26	37	25	17	11	12.68	19.05	7.94	3	7.2	M10*1.5P
NCP-07	95	31	48	34	17	11	12.68	22.2	7.94	3	7.2	M10*1.5P
NCP-08	95	31	48	34	17	11	12.68	22.2	7.94	3	7.2	M10*1.5P
NCP-09	110	37	48	34	17	11	12.68	22.2	7.94	3	7.2	M10*1.5P
NCP-10	110	37	48	34	19	13	19.03	27	12.7	3	7.2	M12*1.75P
NCP-12	125	42	54	38	19	13	19.03	31.75	12.7	3	7.2	M12*1.75P
NCP-14	125	42	54	38	19	13	19.03	31.75	12.7	3	7.2	M12*1.75P
NCP-16	160	50	70	48	25	17	19.03	38.1	12.7	6	11.5	M16*2.0P

注：非標可定做 Customized spec can be made.