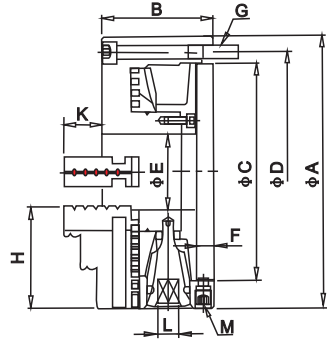
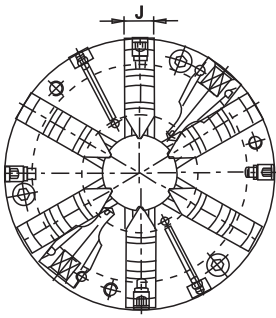


可調式普通型六爪鋼殼夾頭

DIN6350 6DACT 6-JAW ADJUSTMENT STEEL SCROLL CHUCKS



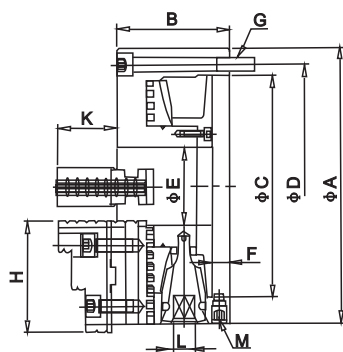
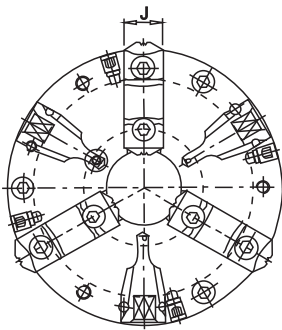
規格 / Specification

單位/UNIT:mm

型式/規格 MODEL /SPEC.	A	B	C	D	E	G	F	H	J	K	M	最高迴轉速 Max. Speed r.p.m. (min ⁻¹)	把握範圍 Max 外徑把握 OD Clamping	Gripping Diameter 內徑把握 I.D. Clamping
6DACT-08	200	82.5	160	176	55	3-M10x1.5P	12	75	22	28	4-M12x1.75P	2900	Ø4-Ø183	Ø51-Ø170
6DACT-10	250	91	200	224	76	3-M12x1.75P	13	98	28	38.5	4-M12x1.75P	2200	Ø6-Ø249	Ø70-Ø233
6DACT-12	315	103	260	286	103	3-M16x2P	14	110	30	44.5	4-M12x1.75P	1800	Ø10-Ø305	Ø81-Ø288
6DACT-15	400	122	330	362	136	3-M16x2P	15	146	40	56	4-M12x1.75P	1300	Ø14-Ø406	Ø105-Ø387

可調式強力型三爪鋼殼夾頭

DIN6350 3DAKT 3-JAW POWERFUL ADJUSTMENT STEEL BODY CHUCKS



規格 / Specification

單位/UNIT:mm

型式/規格 MODEL /SPEC.	A	B	C	D	E	G	F	H	J	K	M	最高迴轉速 Max. Speed r.p.m. (min ⁻¹)	把握範圍 Max 外徑把握 OD Clamping	Gripping Diameter 內徑把握 I.D. Clamping
3DAKT-05	125	65	95	108	32	3-M8x1.25P	10.5	57	24	36	4-M10x1.5P	4800	Ø3-Ø121	Ø44-Ø120
3DAKT-06	160	72.5	125	140	42	3-M10x1.5P	12	68	26	38.5	4-M12x1.75P	4200	Ø8-Ø169	Ø50-Ø158
3DAKT-08	200	82.5	160	176	55	3-M10x1.5P	12	82	28	43	4-M12x1.75P	3500	Ø8-Ø206	Ø58-Ø191
3DAKT-10	250	91	200	224	76	3-M12x1.75P	13	102	35	54.5	4-M12x1.75P	2600	Ø12-Ø266	Ø77-Ø250
3DAKT-12	315	103	260	286	103	3-M16x2P	14	117.5	40	56.5	4-M12x1.75P	2200	Ø15-Ø340	Ø85-Ø313
3DAKT-15	400	122	330	362	136	3-M16x2P	15	150	50	74.5	4-M12x1.75P	1600	Ø30-Ø440	Ø123-Ø416