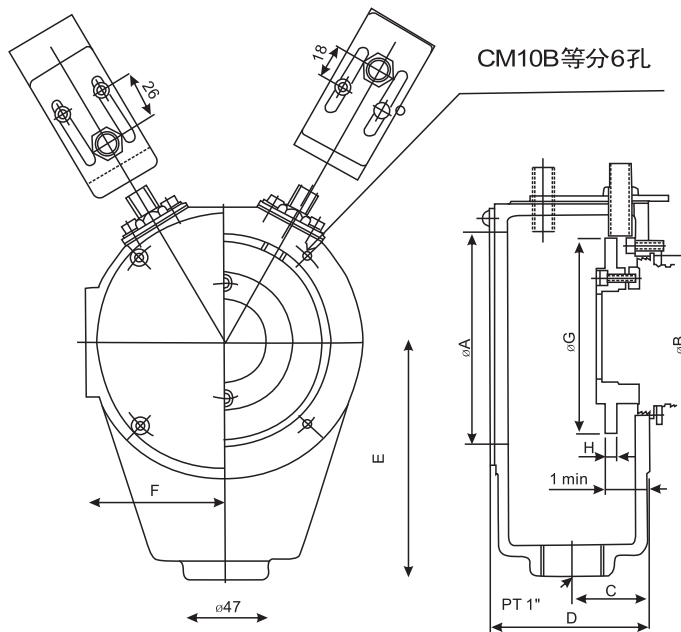


### > CM.B SERIES

#### 油壓回轉缸集水盒

#### HYDRAULIC CYLINDERS COOLANT COLLECTORS



- ◎ 1.可安裝行程確認裝置及油水回收。
- ◎ 2.近接開關須另購。
- ◎ Hydraulic cylinders coolant collectors. Compact and light weight, they feature bore sizes up to 20% large than Conventional Cylinders.
- ◎ Precision finished piston bores and cool running rotary unions are.
- ◎ included for years of trouble-free performance.
- ◎ The proximity switches are extra option.

型式 Model	A	B	C	D	E	F	G	H	I min	適合油壓缸 Matched cylinders	重量(kg) Weight
CM09B	85	67	33	70	105	55.5	77	5	24	M0928(H0928)	0.85
CM10B	118	75	42	84	131	76	107	5	22	M1036(H1036)	1.6
CM12B	118	87	42	84	131	76	107	5	23	M1236(H1236) M1246(H1246)	1.6
CM15B8	118	98	42	84	131	76	107	5	25.5	M1546(H1546) M1552(H1552)	1.6
CM18B	158	123	44	88.5	151	96	147	5	23	M1868(H1868) M1870(H1870) M1875(H1875) M1878(H1878)	2
CM20B	158	140	44	88.5	151	96	147	5	23	M2085(H2085) M2091(H2091)	2.1
CM25B	198	177	45	90	180	118	192	12	35	M2511(H2511)	2.4

\* 保留技術更改的權利，恕不另行通知 Subject to technology changes without prior information  
 \* 非標需求可訂做 Non-standard requirements can be made

