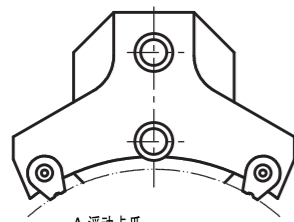
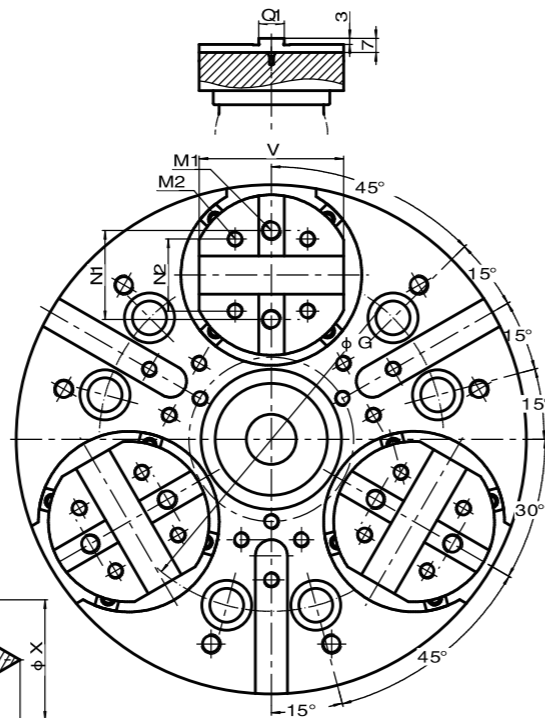
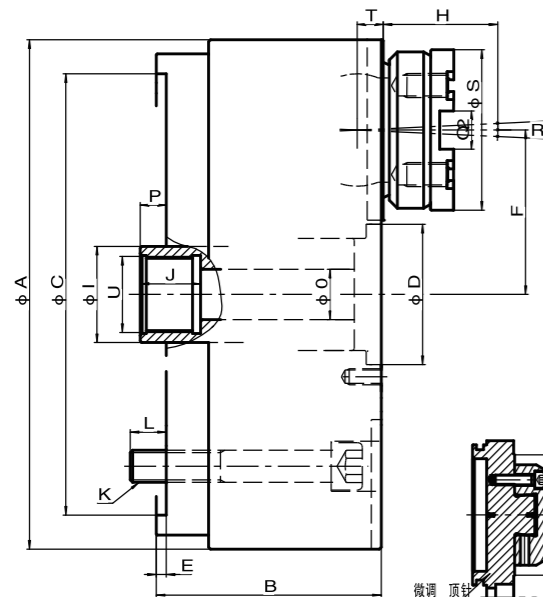
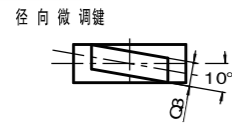


> CW SERIES

補償式浮動三爪卡盤

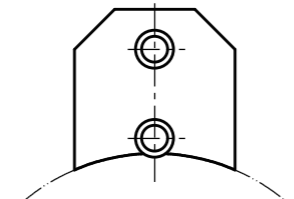
COMPENSATION SWING LOCK 3 JAW CHUCK

- ◎ 防鐵屑與冷卻液，防止污染內部結構。
- ◎ 卡盤本體與部件經噴火處理，採用長效潤滑，確保高精度與較長的使用壽命。
- ◎ 離心力補償，適合高-低壓夾緊。
- ◎ An internal floating cam makes it possible to clamp on the standard center hole even when the outer diameter of a work piece is not centered.
- ◎ Features a fully sealed structure that extends lubrication intervals and prevents coolant infiltration.
- ◎ Suitable for higher or lower pressure gripping working.



-A 浮動卡爪：
用于夾持毛胚或易變形工件，
6點接觸，用于一序和二序加工；

Pedulum Jaws
6 points touching
For Gripping casting blank
parts or easy deformed parts



-B 剛性卡爪：
用于夾持已加工過的直徑，
重復定心精度高。

Steel Jaws
For clamping turned parts
High repeatability accuracy

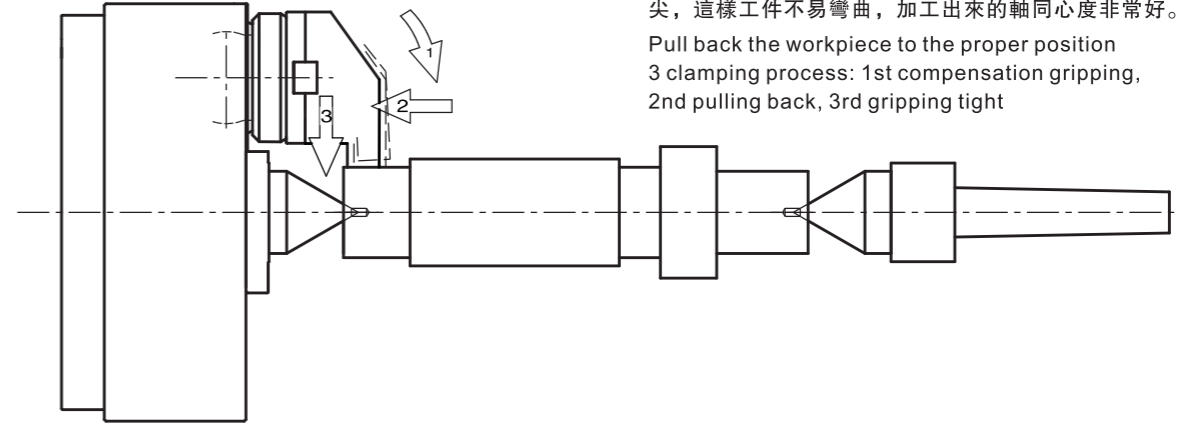
> CW SERIES

補償式浮動三爪卡盤

COMPENSATION SWING LOCK 3 JAW CHUCK

- ① 後拉工件至參考定位上；
- ② 卡爪補償夾持：1補償夾持-2後拉-3夾緊
- ③ 尾座提供支撐零件所必需的力，卡盤把工件拉向中心頂尖，這樣工件不易彎曲，加工出來的軸同心度非常好。

Pull back the workpiece to the proper position
3 clamping process: 1st compensation gripping,
2nd pulling back, 3rd gripping tight



| 型號/Model 規格/Spec. | A | B | C (G7) | D (H8) | E | F | G | H | I | J | K |
|----------------------|-----|-----|--------|--------|---|-----|-------|-----|-----|----|-------|
| CW-05 | 135 | 70 | 110 | 30.5 | 5 | 42 | 82.6 | 39 | 25 | 17 | 3-M10 |
| CW-06 | 173 | 80 | 140 | 28 | 5 | 55 | 104.8 | 50 | 36 | 25 | 6-M10 |
| CW-08 | 212 | 105 | 170 | 34 | 5 | 64 | 133.4 | 60 | 38 | 25 | 6-M12 |
| CW-10 | 254 | 112 | 220 | 70 | 5 | 82 | 171.4 | 70 | 48 | 30 | 6-M16 |
| CW-12 | 315 | 112 | 220 | 75 | 5 | 107 | 171.4 | 70 | 48 | 30 | 6-M16 |
| CW-15 | 390 | 132 | 300 | 85 | 5 | 130 | 235 | 80 | 75 | 30 | 6-M20 |
| CW-21 | 535 | 138 | 380 | 85 | 6 | 190 | 330.2 | 80 | 75 | 30 | 6-M24 |
| CW-24 | 650 | 155 | 380 | 150 | 6 | 245 | 330.2 | 100 | 100 | 36 | 6-M26 |

| 型號/Model 規格/Spec. | L | M1 | M2 | N1 | N2 | O | P | Q1(H8) | Q2(H7) | Q3(H7) | R |
|----------------------|----|-----|-----|------|----|------|-----------|--------|--------|--------|------|
| CW-05 | 15 | M6 | M5 | 19 | 15 | 8.5 | 0-16 | 6.35 | 7.94 | 5 | 5° |
| CW-06 | 16 | M10 | M8 | 32 | 24 | 12.5 | 7.5-28.5 | 7.94 | 12.68 | 9 | 5.2° |
| CW-08 | 17 | M12 | M10 | 38 | 32 | 18 | 7.5-32.5 | 12.68 | 12.68 | 9 | 5.2° |
| CW-10 | 18 | M12 | M10 | 44.4 | 36 | 25 | 0.5-25.5 | 12.68 | 19.03 | 12 | 5.4° |
| CW-12 | 18 | M12 | M10 | 44.4 | 36 | 25 | 12.5-37.5 | 12.68 | 19.03 | 12 | 5.4° |
| CW-15 | 26 | M16 | M12 | 63.5 | 48 | 52 | 10-40 | 12.68 | 19.03 | 12 | 4.7° |
| CW-21 | 29 | M16 | M12 | 63.5 | 48 | 52 | 5-35 | 12.68 | 19.03 | 12 | 4.7° |
| CW-24 | 29 | M20 | M16 | 63.5 | 54 | 72 | 4-36 | 12.68 | 19.03 | 12 | 5° |

| 型號/Model 規格/Spec. | S | T | U | V | W1 | W2 | X |
|----------------------|-----|----|---------|-----|-----|------|-----|
| CW-05 | 37 | 5 | M20*1.5 | 36 | 3.2 | 22.5 | 12 |
| CW-06 | 60 | 9 | M28*1.5 | 55 | 11 | 62 | 35 |
| CW-08 | 75 | 10 | M32*1.5 | 65 | 14 | 67 | 46 |
| CW-10 | 80 | 12 | M38*1.5 | 72 | 16 | 68 | 60 |
| CW-12 | 80 | 12 | M38*1.5 | 72 | 18 | 72 | 60 |
| CW-15 | 105 | 12 | M60*1.5 | 100 | 18 | 95 | 116 |
| CW-21 | 105 | 12 | M60*1.5 | 100 | 20 | 95 | 116 |
| CW-24 | 127 | 12 | M80*2 | 116 | 20 | 95 | 116 |

| 型號/Model 規格/Spec. | 卡爪角行程 Jaw stroke | 斜嵌軸向行程 Plunger stroke mm | 最大推力 Max.Pull force KN | 最大夾持力 Max.Gripping Force KN | 最高轉速 Max RPM | 重量 Weight Kg |
|----------------------|---------------------|--------------------------------|------------------------------|-----------------------------------|-----------------|--------------------|
| CW-05 | 5° | 16 | 12 | 29 | 6000 | 4.5 |
| CW-06 | 5.2° | 21 | 18 | 44 | 4000 | 15 |
| CW-08 | 5.2° | 25 | 25 | 60 | 3500 | 27 |
| CW-10 | 5.4° | 25 | 40 | 96 | 2800 | 41 |
| CW-12 | 5.4° | 25 | 40 | 96 | 2500 | 66 |
| CW-15 | 4.7° | 30 | 50 | 120 | 1800 | 115 |
| CW-21 | 4.7° | 30 | 60 | 150 | 1500 | 196 |
| CW-24 | 5° | 32 | 100 | 180 | 1200 | 386 |

保留技術更改的權利，恕不另行通知。Subject to technology changes without prior information
非標需求可訂做。Non-standard requirements can be made